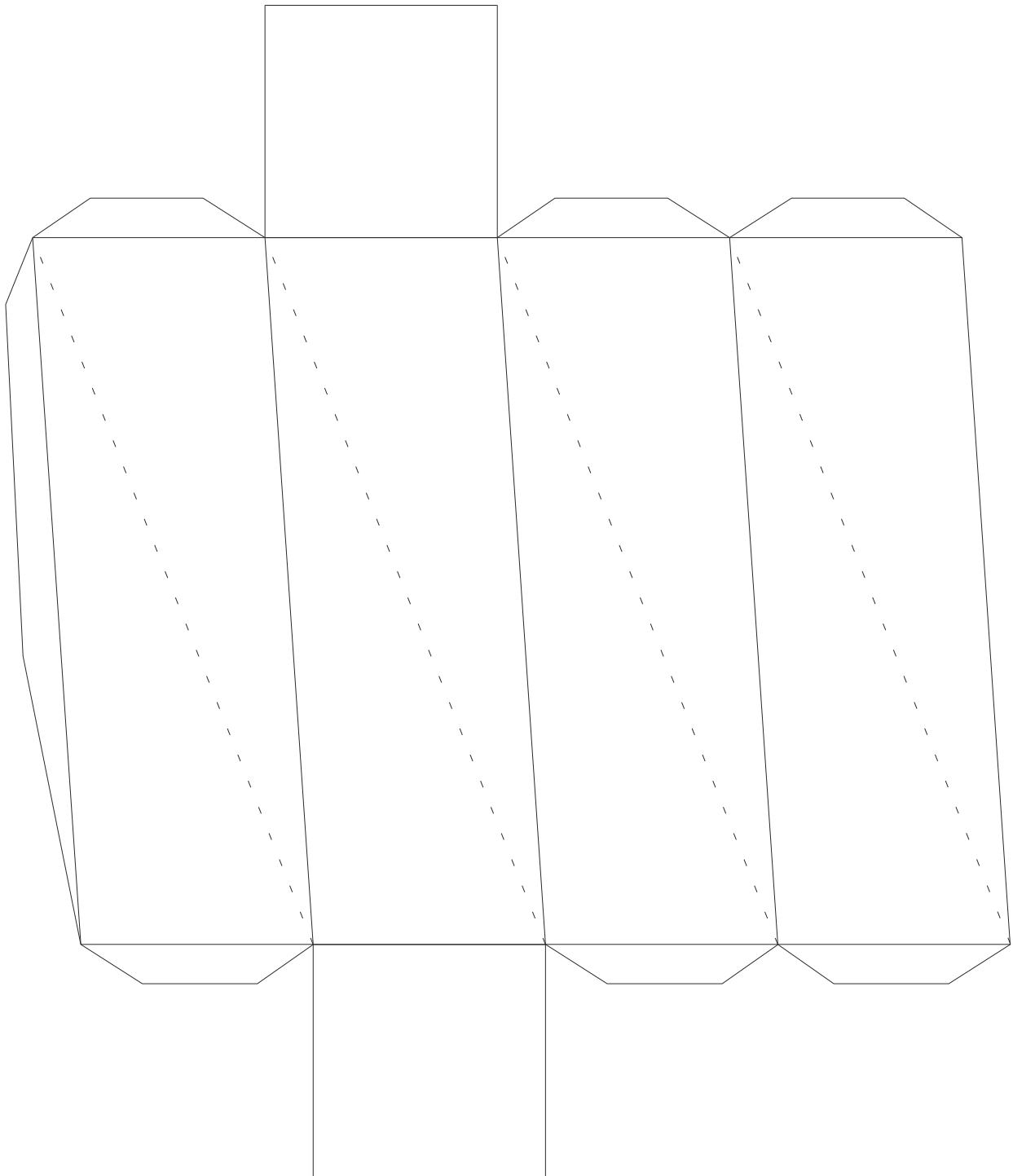
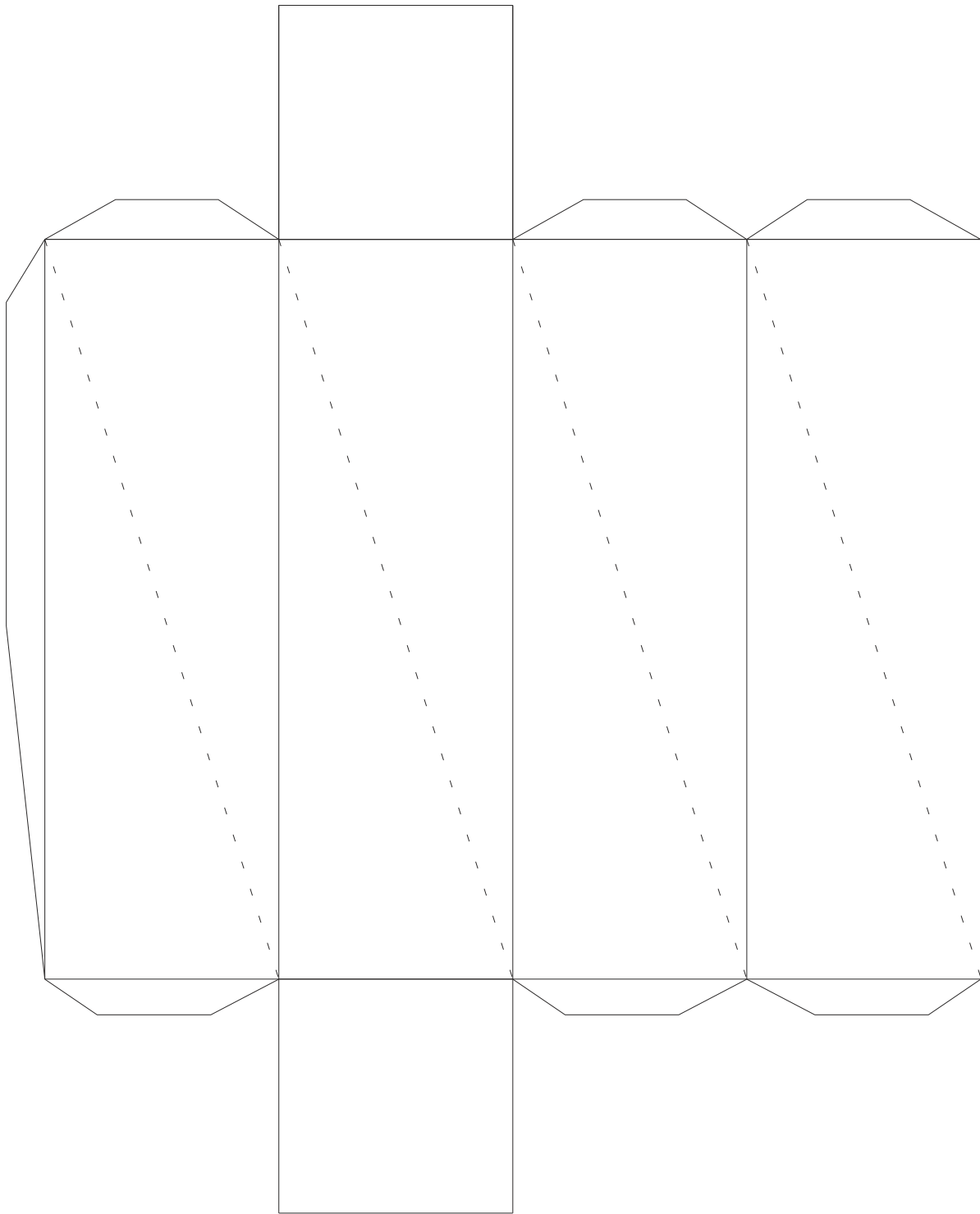


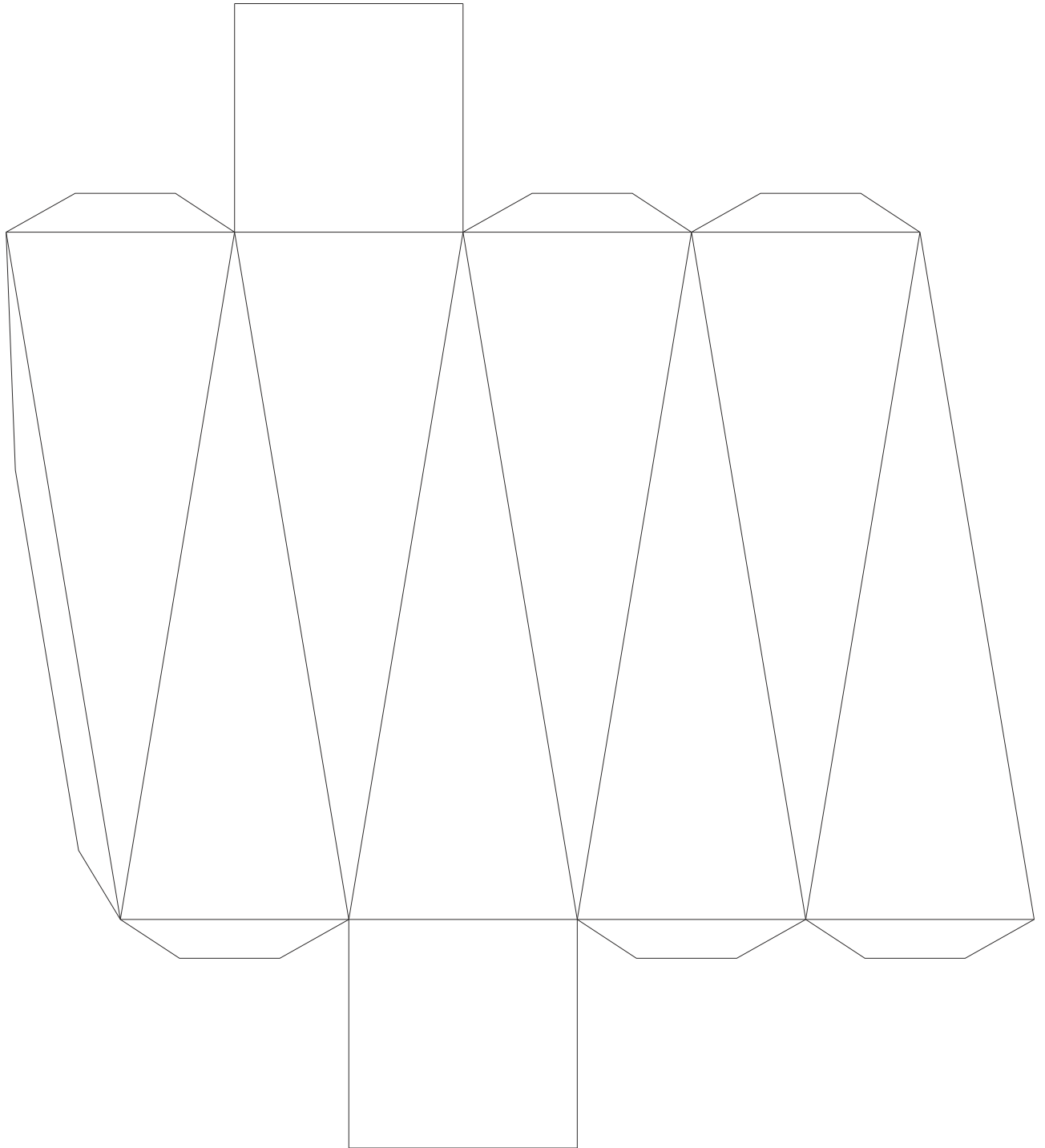
Twisted rectangular prism (135 degrees)



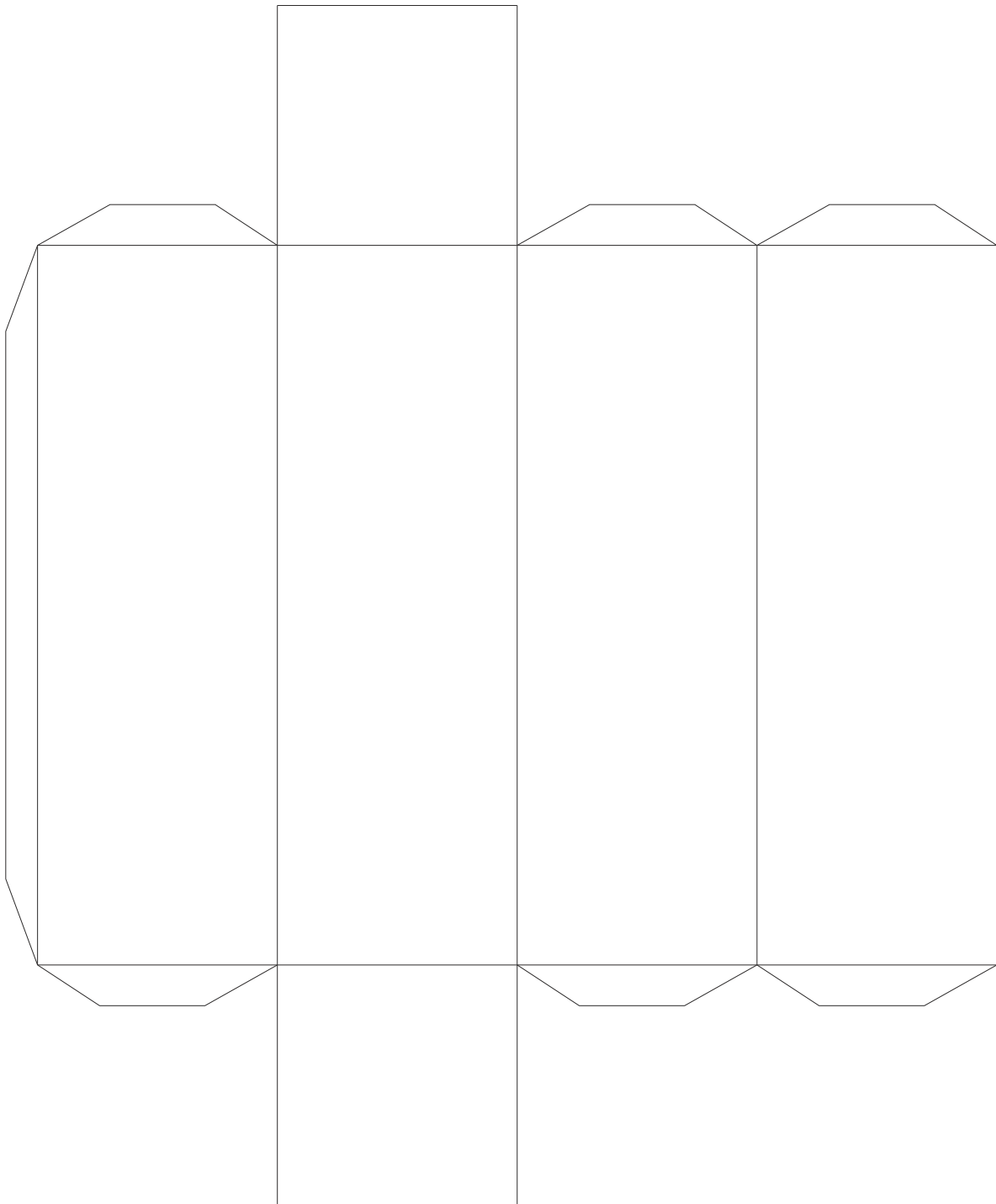
Twisted rectangular prism (180 degrees)



Rectangular antiprism (Twisted rectangular prism 45 degrees)



Rectangular prism (0 degrees)



Twisted rectangular prism (+ 135 -135 degrees)

